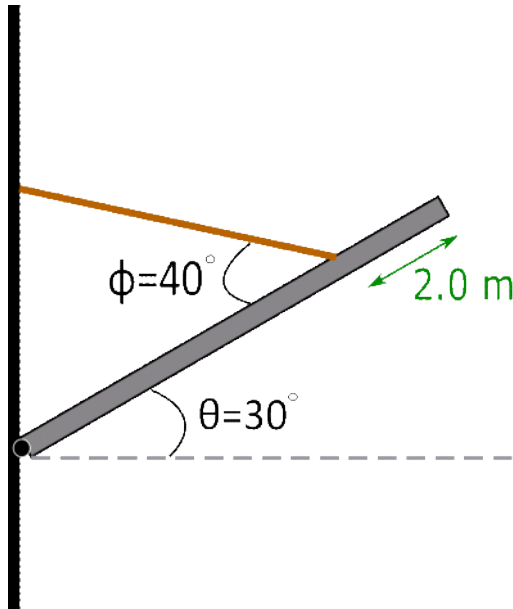


## HIP 07

### COMMENTS:

- Problem 1 will be graded based off of the HIP rubric.
- Problem 2 is a list of suggested Student Workbook Volume 1 problems to practice in your spare time. You do not need to turn these in, they will not be graded.

- (1) A uniform beam of length 9 m is hinged to a wall and a wire is attached 2.0 m from the unattached end, holding it in place, as shown in the figure below. If the beam weighs 15 kN, what is the
- tension in the rope, and
  - the reaction force (horizontal and vertical components) of the wall on the beam?
  - Enhancement



- (2) CH 7: 12, 13, 14, 15, 18, 19, 20, 21, 28